



The Plasma Air 600 Series **Models 601 / 602 / 603 / 604** brush needlepoint ionizers are rated for 2400 CFM and produce positive and negative ions neutralizing harmful pathogens, pollutants and odors. This self-balancing ionizer is typically installed at the fan inlet of fan coil units, VRF cassettes, ductless splits, WSHP etc. These ionizers are self-contained in a potted ABS box with a molded flange and mounting holes and is protected with an inline 500mA glass cartridge fuse. The 600 series is UL2998 validated for zero ozone emissions.



**SPECIFICATIONS:**

- Airflow Capacity: ..... 2,400 CFM
- Pressure Drop: ..... Less than 0.01 In. WG
- Housing Material: ..... ABS
- Weight: ..... 0.2 lbs
- Maximum Operating Temperature: ..... 200° F (93°C)
- Electrical:
  - Voltage Input ..... 12V DC (601)
  - ..... 24V AC (602)
  - ..... 120V AC (603)
  - ..... 208-240V AC (604)
  - Power Consumption: ..... Less than 1 watt
  - Frequency: ..... 50/60 hertz
  - Over Current Protection: 500mA Glass Cartridge Fuse
  - Lead Wires ..... 50"(L)

**Ionization Type:**

- Mode of Operation: ..... Needlepoint
- Needle Configuration: ..... Brush

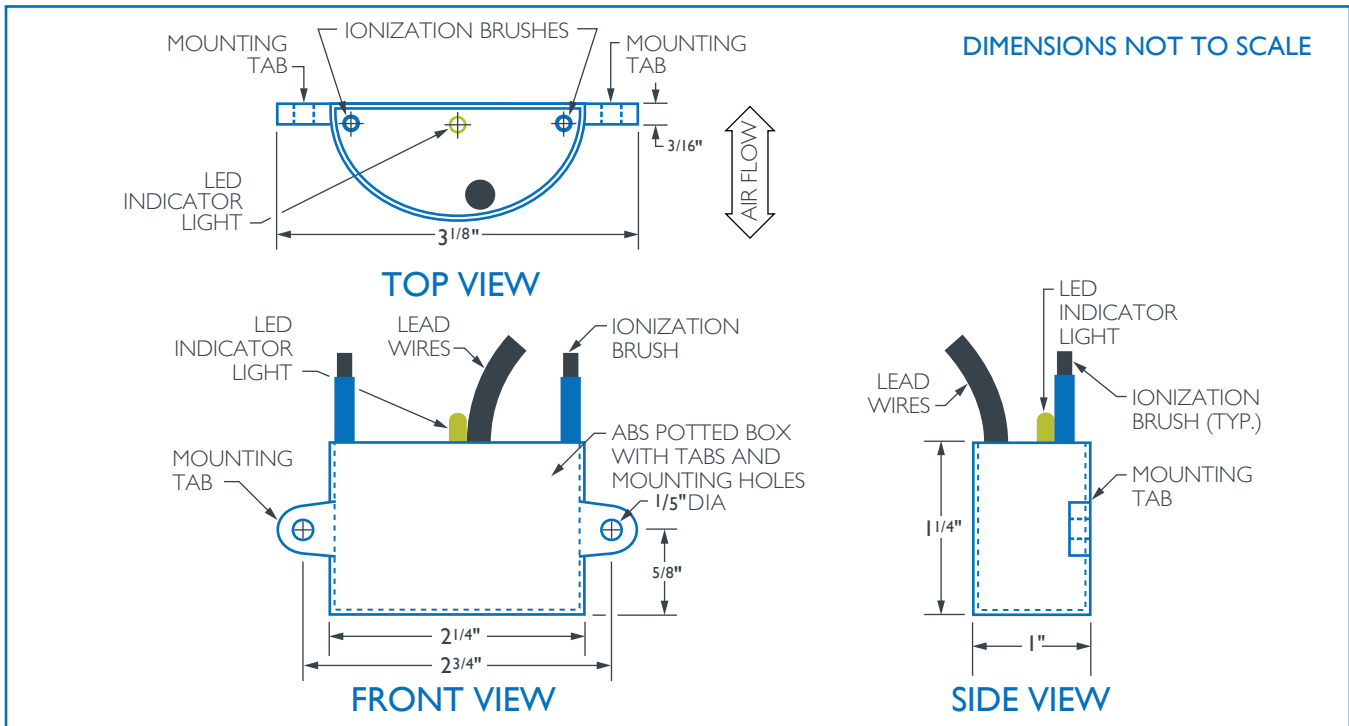
**DIMENSIONS:** See Figure 1

**APPROVALS:** UL2998, Intertek/ETL Standard UL 867

**ORDERING NOMENCLATURE:**

- 6XX
  - 1 = 12V DC
  - 2 = 24V AC
  - 3 = 120V AC
  - 4 = 208-240V AC
  - 0 = Placeholder
- Plasma Air PA600 Series

FIGURE 1



All stated specifications are subject to change without notice or obligation.