

# INSTALLATION, OPERATION & MAINTENANCE MANUAL

## PLASMA AIR CEILING SCRUBBER

REV 08/18

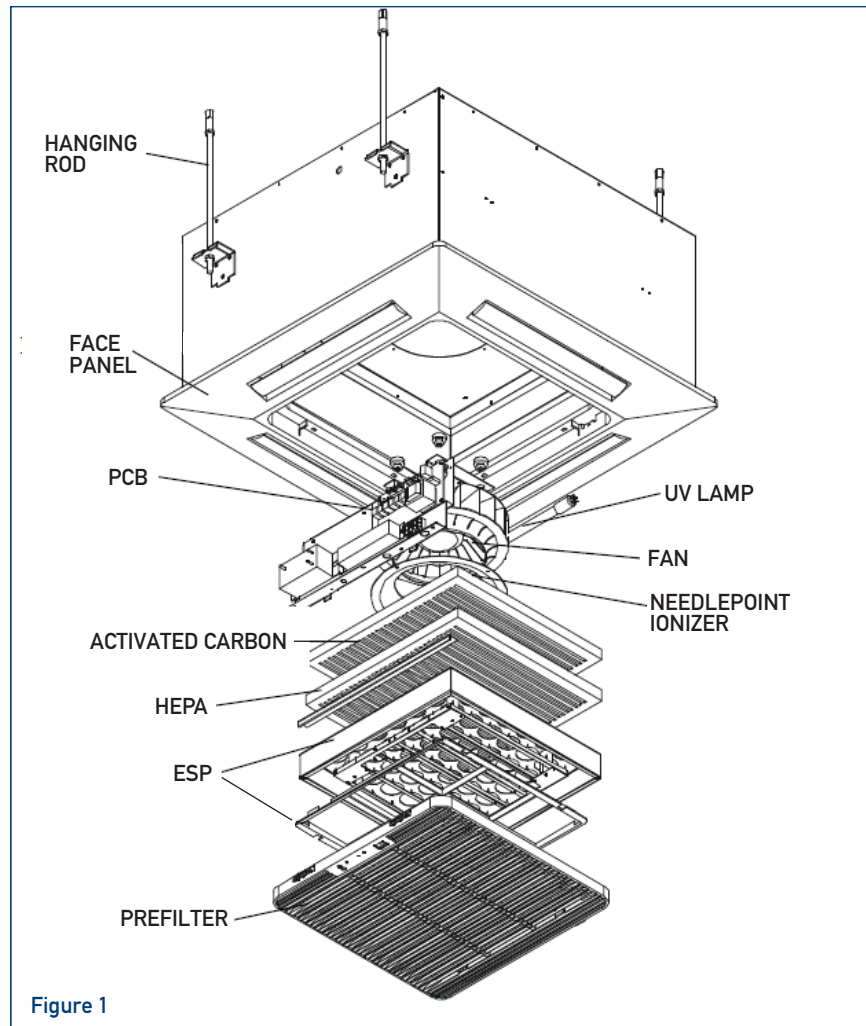


 **PLASMA AIR**  
INTERNATIONAL  
[www.plasma-air.com](http://www.plasma-air.com)

## INTRODUCTION

The Plasma Air Ceiling Scrubber is a self-contained air purifier that integrates multilayer filtration, purification and sterilization. The scrubber fits ideally into a 24"X24" ceiling grid and its low noise level makes it an ideal product for numerous applications. It purifies the air by capturing particulate, neutralizing odors, killing bacteria and reducing noxious gases such as benzene and formaldehyde. It has three (3) fan speeds—low, medium and high. It contains a pre-filter, HEPA filter, carbon filter, UV lamp, electrostatic precipitator, and a needlepoint ionizer. The four (4) modulating air outlets provide for even air distribution.

## COMPONENT REPRESENTATION



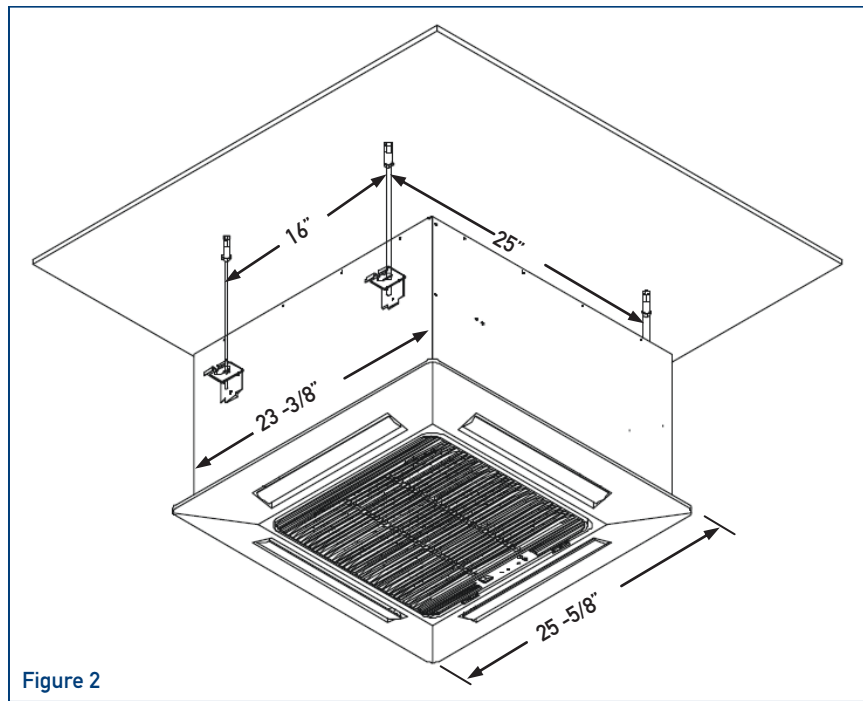


Figure 2

## MECHANICAL and ELECTRICAL INSTALLATION

**Step 1** - According to Fig 2 drill four (4) #10 screw holes in ceiling.

**Step 2** - Insert the included threaded metal bars with expansion fitting into each of the four (4) holes. Then screw down the nut to secure the metal bars in the ceiling.

**Step 3** - Secure the four (4) metal bars to the associated mounting bracket on the unit.

**Step 4** - Plug the three prong power cord into a grounded electrical outlet in a dry location.

## OPERATION

- When the power cord is plugged into an outlet, the power indicator will illuminate.
- You may now start the operation using the supplied remote control. Press the "On/Off" button and the unit will start in medium fan speed.
- The UV lamp and needlepoint ionizer will energize and the air flow deflectors will energize.
- You can adjust the fan speed using the "high-middle-low" button. The "swing" button will start & stop the airflow deflectors.

## TECHNICAL SPECIFICATION

ITEM	DESCRIPTION
RATED VOLTAGE	220-240V/50-60Hz /110-127V/60Hz
POWER CONSUMPTION	85 Watts
WEIGHT	46.2 lbs
DIMENSIONS	25-5/8" x 25-5/8" x 17-1/8"
AIR FLOW	330 CFM
SOUND LEVEL	49 dB
PARTICLE REMOVAL RATE	99% in 1000 ft <sup>3</sup> room for 30 min
FORMALDEHYDE REMOVAL RATE	96% in 1000 ft <sup>3</sup> room for 120 min
BENZENE REMOVAL RATE	98% in 1000 ft <sup>3</sup> room for 60 min

## SAFETY/WARNINGS

Ensure that all safety precautions are followed when using this electrical appliance. This IOM describes the safety precautions to be observed during operation to prevent injuries to yourself and others or damage to the device.

- To prevent electric shock, do not dismantle, repair or modify this product in any way. Maintenance and cleaning procedures shall be followed as described in this manual. In the case of unit's malfunction, contact Plasma Air or our local manufacturer's representative.
- Do not use in locations where flammable or explosive materials are stored.
- Do not subject the device to direct sunlight or high temperatures internal temperature rise in serious cases may cause fire and in mild cases may cause deformation of the outer casing. Stop operation when ambient temperature exceeds 110F.
- Do not allow foreign objects into the device. High voltage components inside the device may cause electric shock. Children should not be allowed to touch or play near the device.
- To prevent fire or electric shock hazard, do not place the unit in wet places or where water may enter the unit.
- Do not use fabrics or other materials to cover this device. Obstructed air inlets and outlets will result in abnormal operation and may lead to fire or other accidents.
- To prevent electro-magnetic interference the device should be placed at least 3ft away from computer, television or radio.
- For safety reasons and to prevent fire or electric shock, unplug the power cord from the electric outlet under the following conditions:
  1. When you are not going to use the device for an extended period of time.
  2. When cleaning or servicing the device.
  3. When you move the device.

## MAINTENANCE

- The unit will make a beeping sound when it is time to replace the filters. Unplug the unit, then remove the front panel and the filter box. Clean the pre-filter and replace the HEPA and carbon filters. Reinstall the front panel and plug the unit back into the outlet.
- If the beeping sound continues after replacing the filters, turn the unit off, then depress the On/Off button for 5 seconds. This resets the unit and the beeping should stop.
- The UV lamp should be replaced once per year. Follow the above instructions for removing the filter box. The UV lamp is tucked under the flange on the front panel hinge side of the unit. Be careful not to touch the glass portion of the UV lamp.

## TROUBLESHOOTING

- If the unit does not power on when you press the On/Off button on the remote control, check to make sure the batteries in the remote control are new and the door switch inside the filter panel is operable. If the unit still does not power on, check that the power cord is inserted fully into the outlet. If these actions do not power the unit on, please contact Plasma Air or our local representative for further help.
- If the LEDs on the front panel illuminate, but the unit appears to not be functioning properly, turn the unit off, then depress the On/Off button for 5 seconds. This should reset the unit. If this does not solve the problem, contact Plasma Air or our local representative for further help.

