

LOW MAINTENANCE

The PlasmaPURE 600 is designed for continuous operation without requiring replacement parts. It is recommended that the device is mounted downstream of the filter to ensure the carbon fiber brushes remain clean over time.

Cleaning Interval:

The PlasmaPURE 600 was designed for low maintenance. The device should be checked semi-annually to confirm the brushes are clean for maximum output. If the carbon fiber brushes do get dirty, the instructions below outline how to clean the device:

1. Disconnect power
2. Remove any accumulated dust on bristles of the brushes with either compressed air or a toothbrush.
3. Reconnect the power

SAFETY

When operating any electrical device, basic precautions should always be followed for safety.

WARNING: Risk of electrical shock — can cause injury. Disconnect unit from the power supply before servicing.

Keep all wires away from the carbon fiber brushes, allowing at least 1 inch of spacing between the carbon fiber brushes and anything metal or grounded.

Never touch ion needles while operating.

Do not connect power before installation is complete. Always disconnect power to the unit before handling any of the unit components or servicing.

If device is not working properly, call a customer service representative at 1-203-662-0800

THREE YEAR WARRANTY

Plasma Air International hereby warrants to the consumer that the product purchased under this warranty be free from defects in material and workmanship under normal use when installed, operated and maintained in accordance with manufacturer's instructions.

In the event of a product defect, failure or malfunction, Plasma Air will, for a period of three (3) years from the date of purchase, repair or replace at its discretion the defective, failed or malfunctioning product purchased under this Warranty. Installation and/or removal labor is not covered under this Warranty.

OTHER THAN AS HEREIN EXPRESSLY SET FORTH, THERE ARE NO WARRANTIES, EXPRESSED OR IMPLIED, INCLUDING, WITHOUT LIMITATION, THE WARRANTIES OF MERCHANTABILITY AND FITNESS FOR A PARTICULAR PURPOSE, ANY SUCH WARRANTIES OTHERWISE IMPOSED BY LAW BEING HEREBY EXPRESSLY DISCLAIMED.

Some states do not allow limitations on how long an implied warranty lasts, so the above limitation may not apply to you.

PLASMA AIR IS NOT AND SHALL UNDER NO CIRCUMSTANCES BE LIABLE OR RESPONSIBLE FOR ANY SPECIAL, INCIDENTAL OR CONSEQUENTIAL DAMAGES, LOSSES, OR EXPENSES ARISING FROM A CLAIMED OR ACTUAL DEFECT IN ANY OF THE PRODUCTS PURCHASED UNDER THIS WARRANTY OR THE INSTALLATION OR USE THEREOF OR FROM ANY OTHER CAUSE WHATSOEVER, INCLUDING, BUT NOT LIMITED TO, LOSS OF PROFITS, LOSS OF BUSINESS, LOSS OF REVENUES AND ANY OTHER ECONOMIC LOSS.

Some states do not allow the exclusion or limitation of incidental or consequential damages, so the above limitation or exclusion may not apply to you.



INSTALLATION, OPERATION & MAINTENANCE MANUAL

PlasmaPURE 600



PLASMA AIR
35 MELROSE PLACE
STAMFORD, CT 06902

phone 203-662-0800
fax 203-662-0808
www.plasma-air.com
info@plasma-air.com

www.plasma-air.com/residential

INTRODUCTION

The PlasmaPURE 600 is a brush-style needlepoint ionizer producing positive and negative oxygen ions that neutralize odors and harmful pollutants. This unit is highly versatile as it may be installed in a furnace, an air handling unit, fan coil unit, PTAC, heat pump or ductless split system. The unit is self-contained in a potted ABS enclosure which has molded tabs with mounting holes for fan inlet mounting with screws or magnet. Models are available to accept 12VDC, 24VAC, 120VAC and 230VAC without the use of an external power supply.

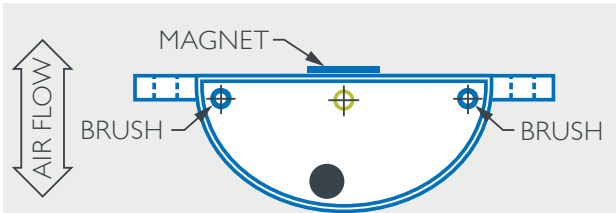


FIGURE 1

MECHANICAL INSTALLATION

WARNING: Do not connect to power before mechanical installation is complete.

1. Mount unit downstream of the filter, for best results avoid locations directly downstream of the cooling coil or a humidifier.
2. Mount unit at or near the fan inlet ensuring air stream flows over the two brushes simultaneously. See figures 1 & 2.
3. Attach magnet to the sheet metal fan housing. If using the mounting holes, ensure the screws are not too long to avoid interference with fan.
4. The tips of the brushes should be 1" away from any metallic or grounded object.

ELECTRICAL INSTALLATION

WARNING: Do not connect to power before installation is complete. Always disconnect power to the unit before handling the ionizer.

1. All field wiring to be in accordance with NEC and Authorities Having Jurisdiction (AHJ).
2. Connect power to ionizer using appropriate voltage per the following: See figure 3. 601=12VDC, 602=24VAC, 603=120VAC, 604=230VAC
3. For 120VAC and 230VAC models the installer shall provide a grounding method per the local AHJ.
4. For best results interlock ionizer with fan power.
5. Keep power wires away from tips of brushes.
6. Apply power to unit. Green light indicates the ionizer is functioning properly.

OPERATION

1. When power is supplied to the ionizer, the ionizer will be activated and will illuminate the green ion indicator light.
2. The ionization unit is self balancing and does not require any type of adjustment.

TROUBLESHOOTING

If the unit is not working, check the following:

1. The supply fan is running and that the green light illuminates.
2. Check the power input connections to the ionization unit. Verify all connections are correct and tightened. Reconnect any loose wires as necessary.

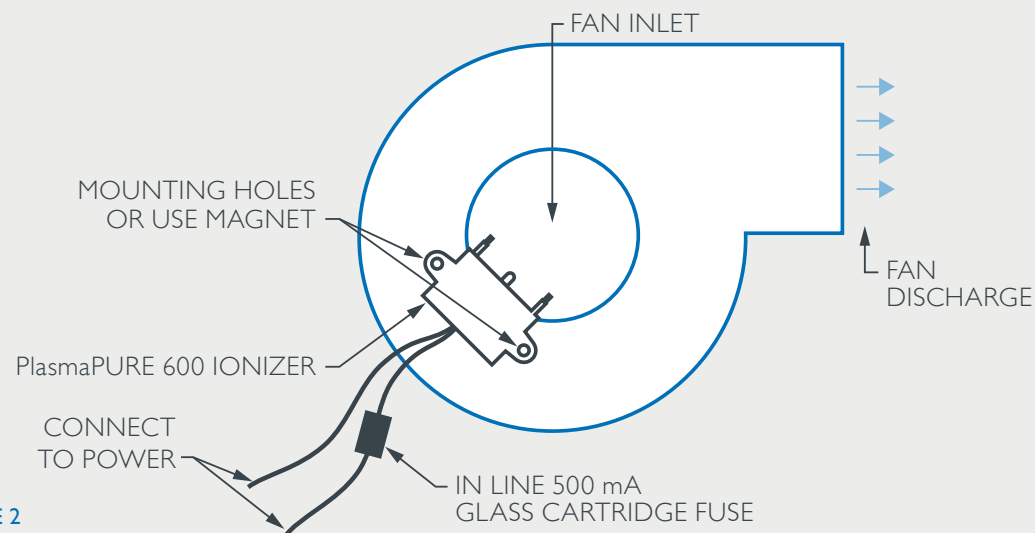


FIGURE 2

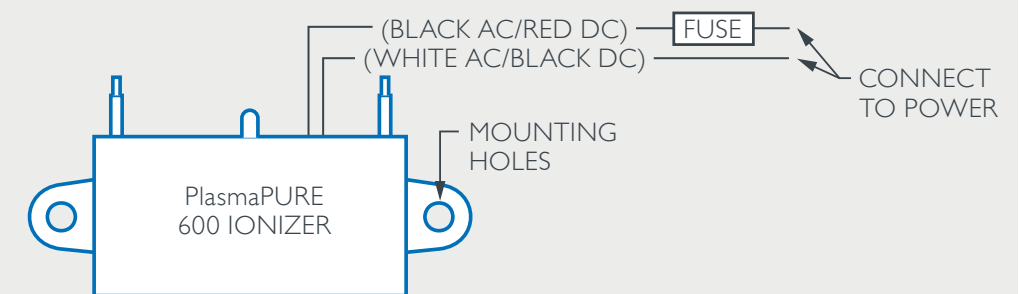


FIGURE 3

phone 203-662-0800
fax 203-662-0808

www.plasma-air.com
info@plasma-air.com