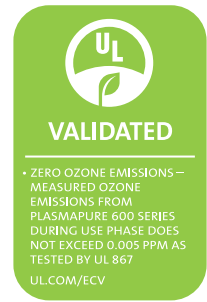




The PlasmaPURE 600 ionizers produce positive and negative oxygen ions neutralizing harmful pollutants and odors in the home. This self balancing unit is highly versatile as it may be installed at the fan inlet of an air handling unit, furnace or in the air stream of a ductless split system with screws or magnet. Models available for 12VDC, 24VAC, 120VAC and 208-240VAC without the use of an external power supply. The unit is protected with an in-line 500mA glass cartridge fuse. Each ionization unit is rated up to 6 tons (2,400 CFM). The PlasmaPURE 600 is UL 2998 validated for zero ozone emissions.



SPECIFICATIONS:

- Airflow Capacity: 2,400 CFM
- Pressure Drop: Less than 0.01 In. WG
- Housing Material: ABS
- Weight: 0.2 lbs
- Maximum Operating Temperature: 200° F (93°C)
- Electrical:
 - Voltage Input 12V DC (601)
 - 24V AC (602)
 - 120V AC (603)
 - 208-240V AC (604)
 - Power Consumption: Less than 1 watt
 - Frequency: 50/60 hertz
 - Over Current Protection: 500mA Glass Cartridge Fuse
 - Lead Wires 50"(L)
- Ionization Output:
 - Mode of Operation: Needlepoint Type
 - Needle Configuration: Brush Type

DIMENSIONS: See Figure 1

APPROVALS: Intertek/ETL Standard UL 867

ORDERING NOMENCLATURE:

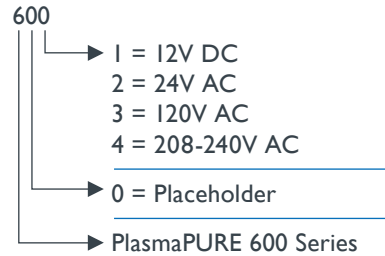
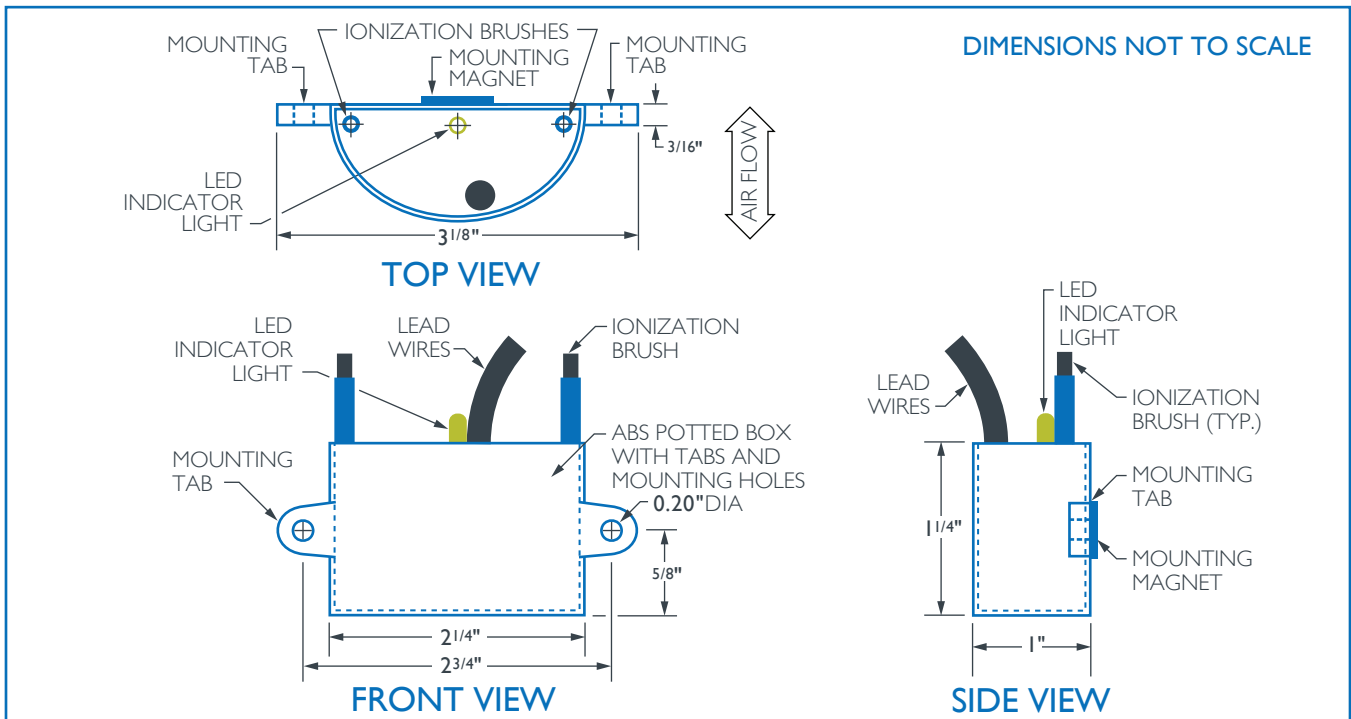


FIGURE 1



All stated specifications are subject to change without notice or obligation.